


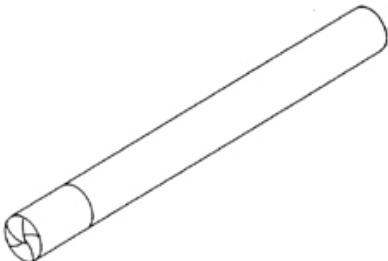
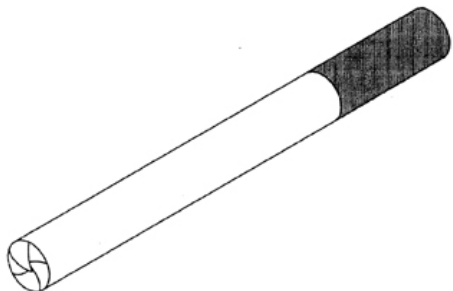
CONTINUED FROM PART-1

INTRODUCTION

In view of the recent amendment made in the Designs (Amendment) Rules, 2008 with effect from 17/06/2008, Publication of the matter relating to Designs is being published in the Official Journal of The Patent Office. This Journal is being published on weekly basis on every Friday covering the various proceedings on Designs as required according to the provisions of under Rule 22, 25, 27 and 39 of the Design (Amendment) Rules, 2008. All the enquiries on this Official Journal and other information as required by the public should be addressed to the Controller General of Patents, Designs & Trade Marks. Suggestions and comments are requested from all quarters so that the content can be enriched.

REGISTRATION OF DESIGNS

The following designs have been registered. They are now open for public inspection. In the following each entry the Date of Registration is shown. The Priority Number, Priority Date and Priority Country are also shown

Design Number	211435		
Class	06-01		
1)LALIT HIRANANDANI D-23 INDRASUKH SOCIETY, FOUR BUNGALOWS, ANDHERI (WEST), MUMBAI-400052, MAHARASHTRA, INDIA.			
Date of Registration	30/07/2007		
Title	Seat		
Priority NA			
Design Number	214638		
Class	27-99		
1)BRITISH AMERICAN TOBACCO (INVESTMENTS) LIMITED., 1 WATER STREET, LONDON, WC2R 3LA, UK.			
Date of Registration	08/02/2008		
Title	Smoking Article		
Priority			
Priority Number	Date	Country	
000778220	10/08/2007	OHIM	
Design Number	214639		
Class	27-99		
1)BRITISH AMERICAN TOBACCO (INVESTMENTS) LIMITED., 1 WATER STREET, LONDON, WC2R 3LA, UK.			
Date of Registration	08/02/2008		
Title	Smoking Article		
Priority			
Priority Number	Date	Country	
000778220	10/08/2007	OHIM	

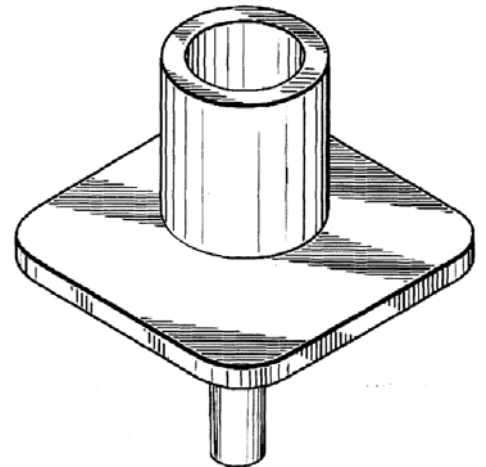
Design Number	219597	
Class	11-01	
1)De Beers Centenary AG, Alpenstrasse 5, 6000 Luzern 6, Switzerland		
Date of Registration	07/11/2008	
Title	Earring	
Priority		
Priority Number	Date	Country
000963673	02/07/2008	OHIM



Design Number	220903	
Class	14-03	
1)Nokia Corporation Keilalahdentie 4 Fin-02150, Espoo Finland		
Date of Registration	23/01/2009	
Title	Handset	
Priority		
Priority Number	Date	Country
29/321, 814	24/07/2008	U.S.A.



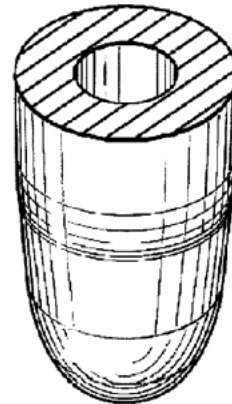
Design Number	212368	
Class	24-02	
1)Smiths Medical Asd, Inc., 160 Weymouth St., Rockland Ma 02370-1136, Usa.		
Date of Registration	14/09/2007	
Title	Knife Edge Cannula Portion And Connector	
Priority		
Priority Number	Date	Country
29/278,290	23/03/2007	U.S.A.



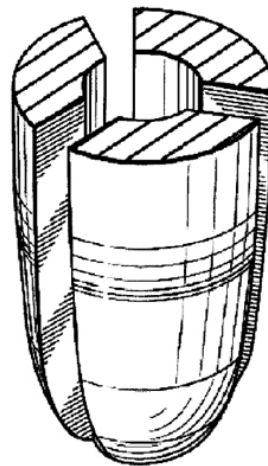
Design Number	212369	
Class	24-02	
1)Smiths Medical Asd, Inc., 160 Weymouth St., Rockland Ma 02370-1136, Usa.		
Date of Registration	14/09/2007	
Title	Knife Edge Cannula Portion	
Priority		
Priority Number	Date	Country
29/278,290	23/03/2007	U.S.A.



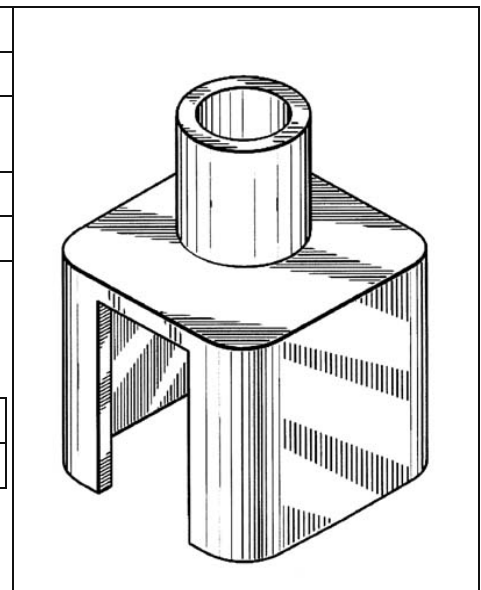
Design Number	212370	
Class	24-02	
1)Smiths Medical Asd, Inc., 160 Weymouth St., Rockland Ma 02370-1136, Usa.		
Date of Registration	14/09/2007	
Title	Non-Slotted Multiple Taper Cannula Distal Portion	
Priority		
Priority Number	Date	Country
29/278,292	23/03/2007	U.S.A.



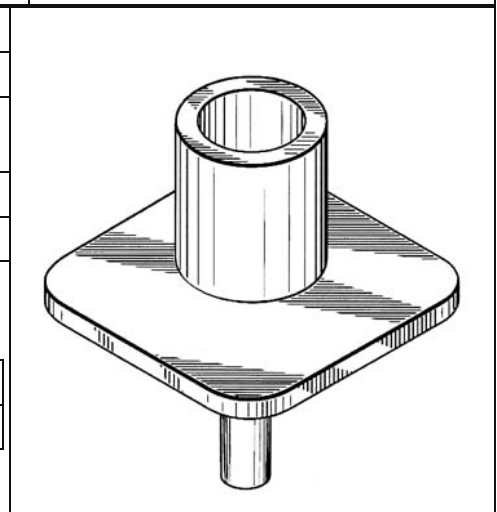
Design Number	212371	
Class	24-02	
1)Smiths Medical Asd, Inc., 160 Weymouth St., Rockland Ma 02370-1136, Usa.		
Date of Registration	14/09/2007	
Title	Slotted Multiple Taper Cannula Distal Portion	
Priority		
Priority Number	Date	Country
29/278,292	23/03/2007	U.S.A.



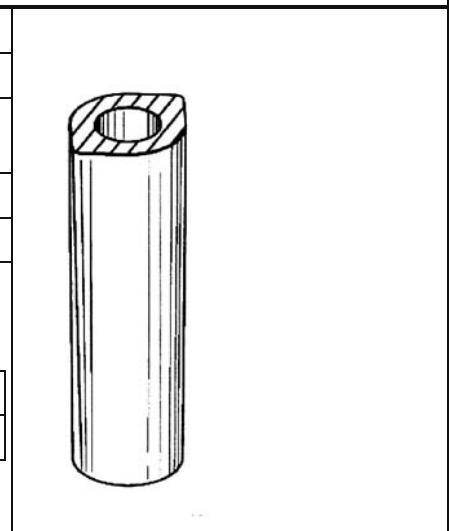
Design Number	212373	
Class	24-02	
1)Smiths Medical ASD 160 Weymouth St., Rockland MA 02370-1136, U.S.A.		
Date of Registration	14/09/2007	
Title	Oval Tapering Cannula Portion And Adaptor	
Priority		
Priority Number	Date	Country
29/278,291	23/03/2007	U.S.A.



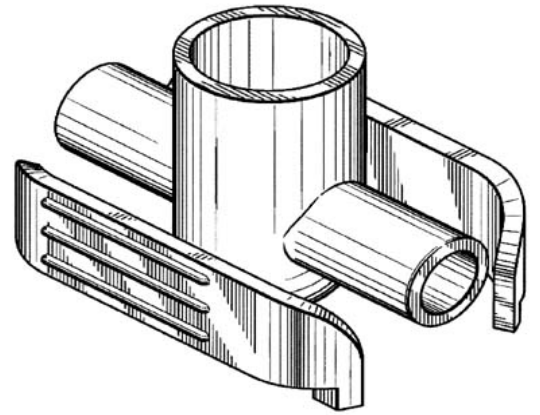
Design Number	212374	
Class	24-02	
1)Smiths Medical ASD 160 Weymouth St., Rockland MA 02370-1136, U.S.A.		
Date of Registration	14/09/2007	
Title	Oval Tapering Cannula Portion And Connector	
Priority		
Priority Number	Date	Country
29/278,291	23/03/2007	U.S.A.



Design Number	212375	
Class	24-02	
1)Smiths Medical ASD 160 Weymouth St., Rockland MA 02370-1136, U.S.A.		
Date of Registration	14/09/2007	
Title	Oval Tapering Cannula Portion	
Priority		
Priority Number	Date	Country
29/278,291	23/03/2007	U.S.A.



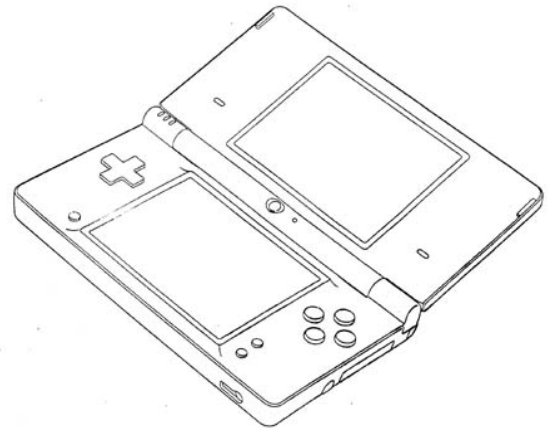
Design Number	212376	
Class	24-02	
1)Smiths Medical Asd, Inc., 160 Weymouth St., Rockland Ma 02370-1136, Usa.		
Date of Registration	14/09/2007	
Title	Medical Sample Site	
Priority		
Priority Number	Date	Country
29/278,288	23/03/2007	OHIM




Design Number	215693	
Class	09-01	
1)PARFUMS TED LAPIDUS., 76, 78 AVENUE DES CHAMPS ELY SEES, 75008 PARIS, FRANCE.		
Date of Registration	02/04/2008	
Title	Bottle	
Priority		
Priority Number	Date	Country
07/4495	03/10/2007	France



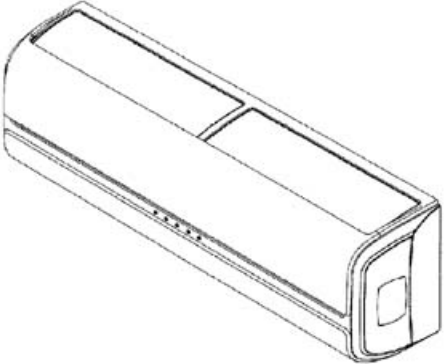
Design Number	221962	
Class	14-02	
1)Nintendo Co., Ltd., 11-1, Hokotate-Cho, Kamitoba, Minami-Ku, Kyoto-Shi, Kyoto, Japan.		
Date of Registration	26/03/2009	
Title	Portable Electronic Computer	
Priority		
Priority Number	Date	Country
2008-025320	01/10/2008	Japan



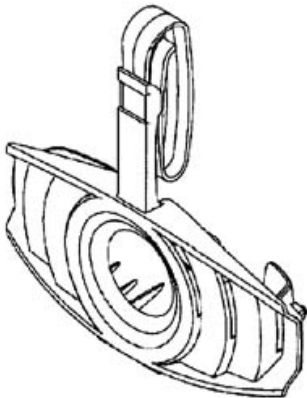
Design Number	222001	
Class	12-15	
1)Continental Aktiengesellschaft., Vahrenwalder Strasse, D-30165 Hannover, Germany.		
Date of Registration	27/03/2009	
Title	Tyre	
Priority		
Priority Number	Date	Country
1049761-0002	03/12/2008	EUROPEAN UNION






Design Number	219673	
Class	23-04	
1)Lg Electronics Inc., 20, Yoido-Dong, Yongdungpo-Gu, Seoul, Republic of Korea		
Date of Registration	12/11/2008	
Title	Air Conditioner	
Priority		
Priority Number	Date	Country
30-2008-0020330	14/05/2008	Republic of Korea




Design Number	219848	
Class	23-02	
1)Hindustan Unilever Limited Hindustan Lever House 165-166 Backbay Reclamation, Mumbai 400020, State of Maharashtra, India		
Date of Registration	24/11/2008	
Title	Rim Cage	
Priority		
Priority Number	Date	Country
4007883	11/06/2008	U.K.




Design Number	220010		
Class	12-15		
1)Sumitomo Rubber Industries, Ltd., 6-9, Wakinohama-Cho 3-chome, Chuo-Ku, Kobe-Shi, Hyogo, Japan			
Date of Registration	04/12/2008		
Title	Tire For Automobile		
Priority			
Priority Number	Date	Country	
2008-025608	06/10/2008	Japan	
Design Number	212063		
Class	09-01		
1)Marico Ltd. Rang Sharda, Krishnachandra Marg, Bandra Reclamation, Bandra(W), Mumbai., India			
Date of Registration	27/08/2007		
Title	Bottle		
Priority NA			
Design Number	212067		
Class	19-06		
1)Rover Writing Instruments. 23, Piramal Industrial Estate, No.4, Piramal Nagar, S.V.Road, Goregaon (W), Mumbai			
Date of Registration	27/08/2007		
Title	Ball Pen		
Priority NA			


Design Number	215271	
Class	07-03	
1)RISHAM K CHAWLA., N-21, PANCHSHEEL PARK, NEW DELHI-110017, INDIA.		
Date of Registration	13/03/2008	
Title	Cutlery Set	
Priority NA		
Design Number	222190	
Class	23-04	
1)Crompton Greaves Limited., 6th Floor, CG House, Dr Annie Besant Road, Worli, Mumbai-400 030, Maharashtra, India.		
Date of Registration	31/03/2009	
Title	Ceiling Fan	
Priority NA		
Design Number	222202	
Class	09-99	
1)Crompton Greaves Limited., 6th Floor, Cg House, Dr Annie Besant Road, Worli, Mumbai-400 030, Maharashtra, India.		
Date of Registration	31/03/2009	
Title	Motor Frame	
Priority NA		


Design Number	222221		
Class	13-01		
1)Crompton Greaves Limited., 6th Floor, CG House, Dr Annie Besant Road, Worli, Mumbai-400 030, Maharashtra, India.			
Date of Registration	31/03/2009		
Title	Motor		
Priority NA			
Design Number	221328		
Class	26-03		
1)Crompton Greaves Limited., 6th Floor, CG House, Dr Annie Besant Road, Worli, Mumbai-400 030, Maharashtra, India.			
Date of Registration	20/02/2009		
Title	Lighting Fixture		
Priority NA			
Design Number	213491		
Class	10-04		
1)SHENZHEN KAIFA TECHNOLOGY CO. LTD., 7006, CAITIAN ROAD, FUTIAN DISTRICT, SHENZHEN, GUANGDONG PROVINCE PR CHINA.			
Date of Registration	21/11/2007		
Title	Ammeter		
Priority			
Priority Number	Date	Country	
200730134070.7	30/05/2007	China	

Design Number	220712		
Class	30-03		
1)Shri Munit Kumar & Shri Devinder Kumar., A-98/1, Wazipur Industrial Area, Delhi-110052, India.			
Date of Registration	07/01/2009		
Title	DOME DISH		
Priority NA			
Design Number	221651		
Class	19-02		
1)Maurice Kanbar., 2100 Jackson Street, San Francisco, California, USA.			
Date of Registration	13/03/2009		
Title	Note Dispenser		
Priority			
Priority Number	Date	Country	
29/310,885	16/09/2008	U.S.A.	
Design Number	214731		
Class	09-01		
1)Plastrocraft India 38, New Unique Industrial Estate, Dr. R.P.Road, Mulund (West), Mumbai-400 080, India.			
Date of Registration	15/02/2008		
Title	Royal Soap Dish		
Priority NA			

Design Number	217730	
Class	08-06	
1)Dolphin Hardware Industries Plot No..C-1-B,236/5,Aji G.I.D.C.Near Cargo Motor"s Rajkot-360003 Gujarat (India)		
Date of Registration	13/08/2008	
Title	Knob	
Priority NA		
Design Number	217734	
Class	08-08	
1)Dolphin Hardware Industries Plot No..C-1-B,236/5,Aji G.I.D.C.Near Cargo Motor"s Rajkot-360003 Gujarat (India)		
Date of Registration	13/08/2008	
Title	Hook	
Priority NA		
Design Number	217735	
Class	08-07	
1)Dolphin Hardware Industries Plot No.C-1-B,236/5,Aji G.I.D.C,Near Cargo Motor"s,Rajkot-360003,Gujarat,(India)		
Date of Registration	13/08/2008	
Title	Door Stopper	
Priority NA		

Design Number	217736	
Class	08-07	
1)Dolphin Hardware Industries Plot No..C-1-B-236/5,Aji G.I.D.C.,Near Cargo Motorâ€™s Rajkot-360003,Gujarat (India)		
Date of Registration	13/08/2008	
Title	Door Stopper	
Priority NA		

Design Number	217737	
Class	08-07	
1)Dolphin Hardware Industries Plot No..C-1-B-236/5,Aji G.I.D.C.,Near Cargo Motorâ€™s Rajkot-360003,Gujarat (India)		
Date of Registration	13/08/2008	
Title	Door Stopper	
Priority NA		

Design Number	217738	
Class	08-08	
1)Dolphin Hardware Industries Plot No.C-1-B,236/5,Aji G.I.D.C.Near Cargo Motor"s,Rajkot-360003,Gujarat,India		
Date of Registration	13/08/2008	
Title	Hook	
Priority NA		